



# Royal Industrial Suppliers

Quality Fasteners Specialist

No. 4, M.G.S. Complex, Benki Nawab Street, S.P. Road Cross, Bangalore 560002

An ISO 9001:2015 Certified Co



8310165941 / 9008782885



sales@royalfastenersindia.com

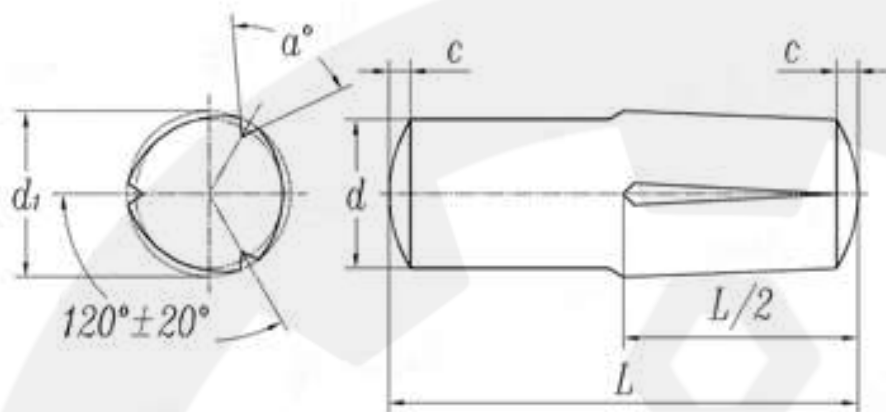


www.royalfastenersindia.com

## GROOVED PIN – ROUND HEAD DIN 1476

CATALOGUE NUMBER: **R3G63R**

**ISI 304 – A2**



Dia d → Parameter ↓	<b>Φ 1.5</b>	<b>Φ 2</b>	<b>Φ 2.5</b>	<b>Φ 3</b>	<b>Φ 4</b>
Chamfer c	0.20	0.25	0.30	0.40	0.50
Min. Double Shear Load kN	1.60	2.84	4.40	6.40	11.30

Send your Orders / Enquiries along with the following Item Codes

All Dimensions are in MM

Len ↓	Dia →	<b>Φ 1.5</b>	<b>Φ 2</b>	<b>Φ 2.5</b>	<b>Φ 3</b>	<b>Φ 4</b>
<b>6</b>		R3G63R10506	R3G63R02006			
<b>8</b>		R3G63R10508	R3G63R02008	R3G63R20508	R3G63R03008	R3G63R04008
<b>10</b>		R3G63R10510	R3G63R02010	R3G63R20510	R3G63R03010	R3G63R04010
<b>12</b>		R3G63R10512	R3G63R02012	R3G63R20512	R3G63R03012	R3G63R04012
<b>16</b>		R3G63R10516	R3G63R02016	R3G63R20516	R3G63R03016	R3G63R04016
<b>18</b>			R3G63R02018		R3G63R03018	R3G63R04018
<b>20</b>		R3G63R10520	R3G63R02020	R3G63R20520	R3G63R03020	R3G63R04020
<b>25</b>			R3G63R02025	R3G63R20525	R3G63R03025	R3G63R04025
<b>30</b>			R3G63R02030	R3G63R20530	R3G63R03030	R3G63R04030
<b>35</b>					R3G63R03035	R3G63R04035
<b>40</b>					R3G63R03040	R3G63R04040
<b>45</b>						R3G63R04045
<b>50</b>						R3G63R04050
<b>55</b>						R3G63R04055
<b>60</b>						R3G63R04060

Sizes in BLUE are non-preferred. Availability is limited and MOQ is higher.

Note: All Austenitic Stainless Steel Fasteners may exhibit some Magnetic Properties due to the Manufacturing Process.

Refer: ISO 3506-2 Annex F